


#### Performance



##### D Range R290 LBP

MODEL	REFRIGERANT	DISPLACEMENT cm <sup>3</sup>	APPLICATION	CPR COOLING	VOLTAGE FREQUENCY	MOTOR	STARTING	EXPANSION	REFRIGERATION CAPACITY   °C						WEIGHT Kg	
									Cecomaf (W)				Ashrae			
									-40	-35	-25		-10	-23,3		
											W	COP		kcal/h		COP
 ND36AA*	R290	3,6	LBP	S	220-240V 50Hz ~1	RSIR	P	C	38	71	93	0,73	184	109	0,95	6,4

 Green Cooling Models

\* Provisional data

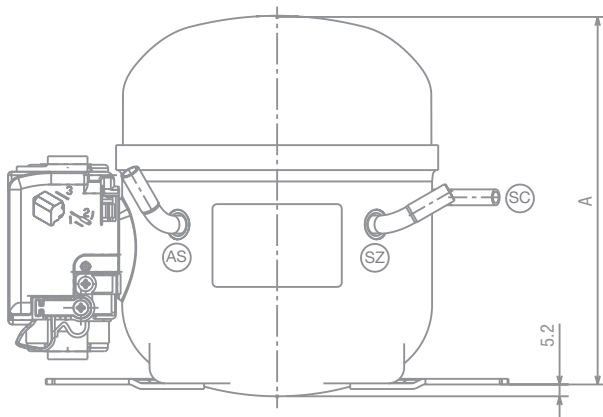
##### D Range R290 HMBP

MODEL	REFRIGERANT	DISPLACEMENT cm <sup>3</sup>	APPLICATION	CPR COOLING	VOLTAGE FREQUENCY	MOTOR	STARTING	EXPANSION	REFRIGERATION CAPACITY   °C						WEIGHT Kg	
									Cecomaf (W)				Ashrae			
									-25	-15	5		10	7,2		
											W	COP		kcal/h		COP
 ND30MBd	R290	3,1	HMBP	F	220-240V 50Hz ~1	CSIR	R	C-V	89	142	318	1,80	376	328	2,11	6,4
 ND36MBd*	R290	3,6	HMBP	F	220-240V 50Hz ~1	CSIR	R	C-V	104	167	374	1,67	442	385	1,95	6,5

 Green Cooling Models

\* Provisional data

#### Dimensions



LEGEND		A (mm)	
AS	Suction / Service	Db	149.5
SC	Discharge	Dc	157.5
SZ	Suction / Service	Dd	162.5

