

Performance

New L Extended Range LBP

MODEL	REFRIGERANT	DISPLACEMENT cm ³	APPLICATION	CPR COOLING	VOLTAGE FREQUENCY	MOTOR	STARTING	EXPANSION	REFRIGERATION CAPACITY °C						WEIGHT Kg	
									Cecomaf (W)			Ashrae				
									-40	-35	-25		-10	-23,3		
											W	COP		kcal/h		COP
✓ MLY12LAa*	R404A	10,7	LBP	F	220-240V 50Hz ~1	CSIR	R	C-V	113	273	380	0,85	808	490	1,22	11,3
✓ MLY12LAb*	R404A	10,7	LBP	F	220-240V 50Hz ~1	CSR	R	C-V	113	273	380	0,91	808	490	1,30	11,3
✓ NLY12LAa	R290	10,7	LBP	F	220-240V 50Hz ~1	CSIR	R	C-V	142	267	359	0,95	746	420	1,23	11,3
✓ NLY12LAb	R290	10,7	LBP	F	220-240V 50Hz ~1	CSR	R	C-V	142	267	359	1,00	746	420	1,30	11,3

✓ Green Cooling Models

* Provisional data

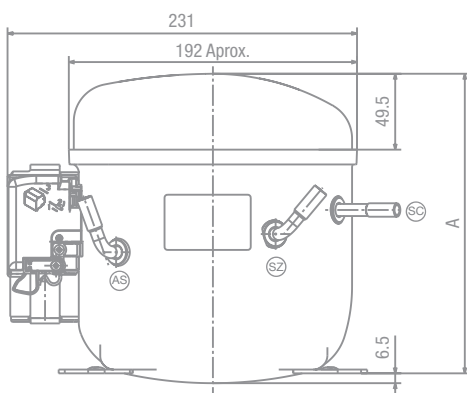
New L Extended Range HBP

MODEL	REFRIGERANT	DISPLACEMENT cm ³	APPLICATION	CPR COOLING	VOLTAGE FREQUENCY	MOTOR	STARTING	EXPANSION	REFRIGERATION CAPACITY °C						WEIGHT Kg	
									Cecomaf (W)			Ashrae				
									-15	0	5		10	7,2		
											W	COP		kcal/h		COP
✓ GLY12RAa	R134a	10,7	HBP	F	220-240V 50Hz ~1	CSIR	R	C-V	349	698	882	2,01	1064	900	2,29	10,3
✓ GLY12RAb	R134a	10,7	HBP	F	220-240V 50Hz ~1	CSR	R	C-V	349	698	882	2,25	1064	900	2,56	10,3
✓ GLY12RGa*	R134a	10,7	HBP	F	200-220V 50Hz ~1	CSIR	R	C-V	349	698	882	1,87	1064	900	2,13	11,3
✓ GLY12RGb*	R134a	10,7	HBP	F	200-220V 50Hz ~1	CSR	R	C-V	349	698	882	2,02	1064	900	2,30	11,3
✓ GLY12RGa*	R134a	10,7	HBP	F	220-230V 60Hz ~1	CSIR	R	C-V	394	788	996	1,76	1200	1016	2,00	11,3
✓ GLY12RGb*	R134a	10,7	HBP	F	220-230V 60Hz ~1	CSR	R	C-V	394	788	996	1,97	1200	1016	2,24	11,3

✓ Green Cooling Models

* Provisional data

Dimensions



LEGEND	
AS	Suction / Service
SC	Discharge
SZ	Suction / Service

	A (mm)
Lb	175
Lc	185.6
Ld	198

