

Performance

R134a HBP 50Hz

MODEL	DISPLACEMENT cm ³	POWER hp	APPLICATION	CPR COOLING	VOLTAGE FREQUENCY	MOTOR	STARTING	EXPANSION	REFRIGERATION CAPACITY °C						WEIGHT Kg	
									Cecomaf (W)				Ashrae			
									-15	0	5		7,2			
											W	COP	kcal/h	COP		
GPT18RA	18,0	1/2	HBP	F	220-240V 50Hz ~1	CSR	R	C-V	618	1215	1495	2,10	1783	1525	2,38	12,7

Green Cooling Models

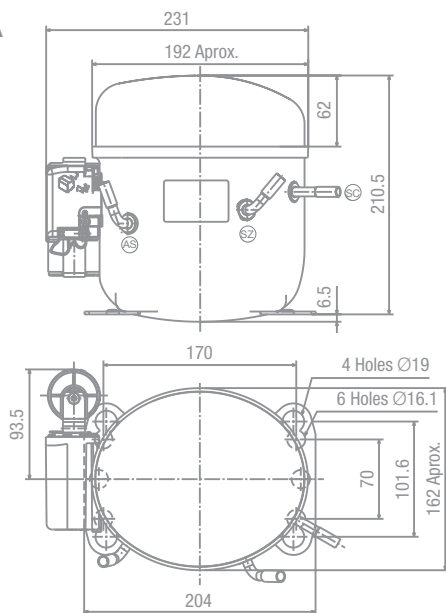
Comparisson

MODEL	APPLICATION	DISPLACEMENT cm ³	CAPACITY kcal/h	COP w/w	MOTOR	VOLTAGE FREQUENCY
GPT18RA	R134a (HBP)	18,00	1525	2,38	CSR	220-240V 50Hz
GX21TB	R134a (HMBP)	20,72	1595	2,18	CSIR	220-240V 50Hz
GPT18RA vs GX21TB			-4%	9%		

ASHRAE Conditions:
 Evaporation Temperature = 7,2°C
 Condensing Temperature = 55°C
 Ambient Temperature and Suction Temperature = 35°C
 Liquid Temperature = 46°C

Dimensions

GPT18RA



LEGEND	
AS	Suction / Service
SC	Discharge
SZ	Suction / Service

GX21TB

